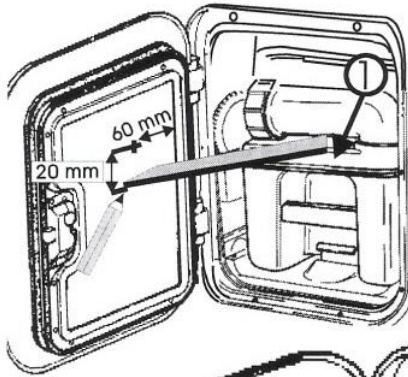
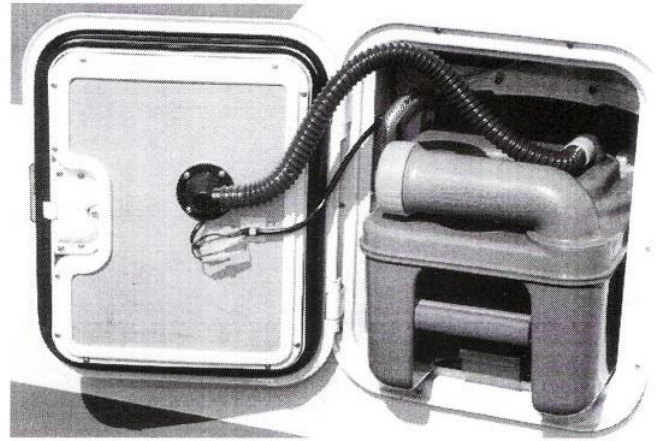


# Installation instructions: SOG Toilet ventilator Type B for C200

Please read completely before installation

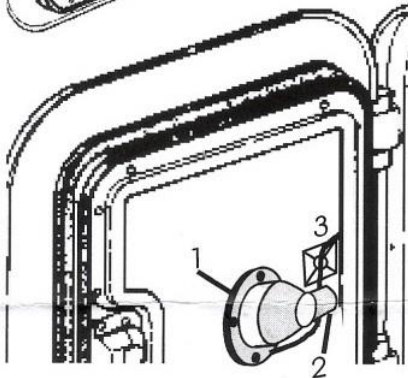
(E)



## Placement of the ventilator hole

Exact placing is only necessary when the waste holding tank is placed in the service space near the door, as is shown in the drawing, so the access door is able to close correctly. If more room is available, the ventilator can be placed a little higher.

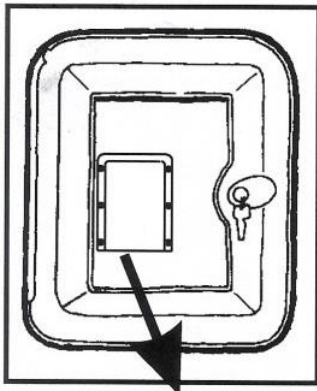
For an exact location place a flat ruler horizontally on the waste holding tank, 1, and close the service door so that the ruler touches it and mark the position of the lower side with a pencil. Mark the point 20 mm (3/4") above this point and approximately 60 mm (2 3/8") inside the inside frame of the access door. Bore a hole 36 mm to 37 mm diameter (1.4 to 1.46") through the door using a cylindrical borer or milling cutter.



## Mounting the ventilator

As smells can leave the service space and enter the vehicle space, careful sealing is important.

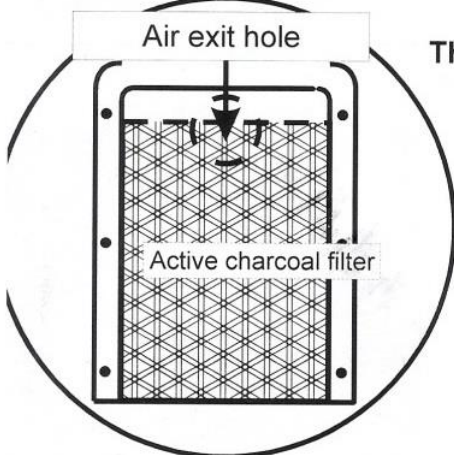
Spread silicone paste inside the bored hole. If there are two layers of sheet metal, the space between them must also be sealed against smells. Mount ventilator, 1, hose connector, 2, must always point towards the door-hinge. Mount the ventilator using the four 3.5x16 mm screws. Mount the 25x25 mm cable bracket, 3, above the ventilator to take up any tension in the cable.



## Mounting the filter housing

The filter housing must be mounted so that approximately one half of the air exit hole is in the empty part of the filter housing and the other half is covered by the filter mat. **WARNING! The filter mat must not cover the air exit hole completely.**

The exit of the filter housing must point downwards. Screw the 3.5x16 VA screws into the aluminium sheet without pilot holes and tighten only hand tight



**The filter should be changed once a year according to use.**